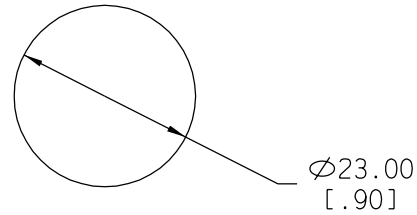
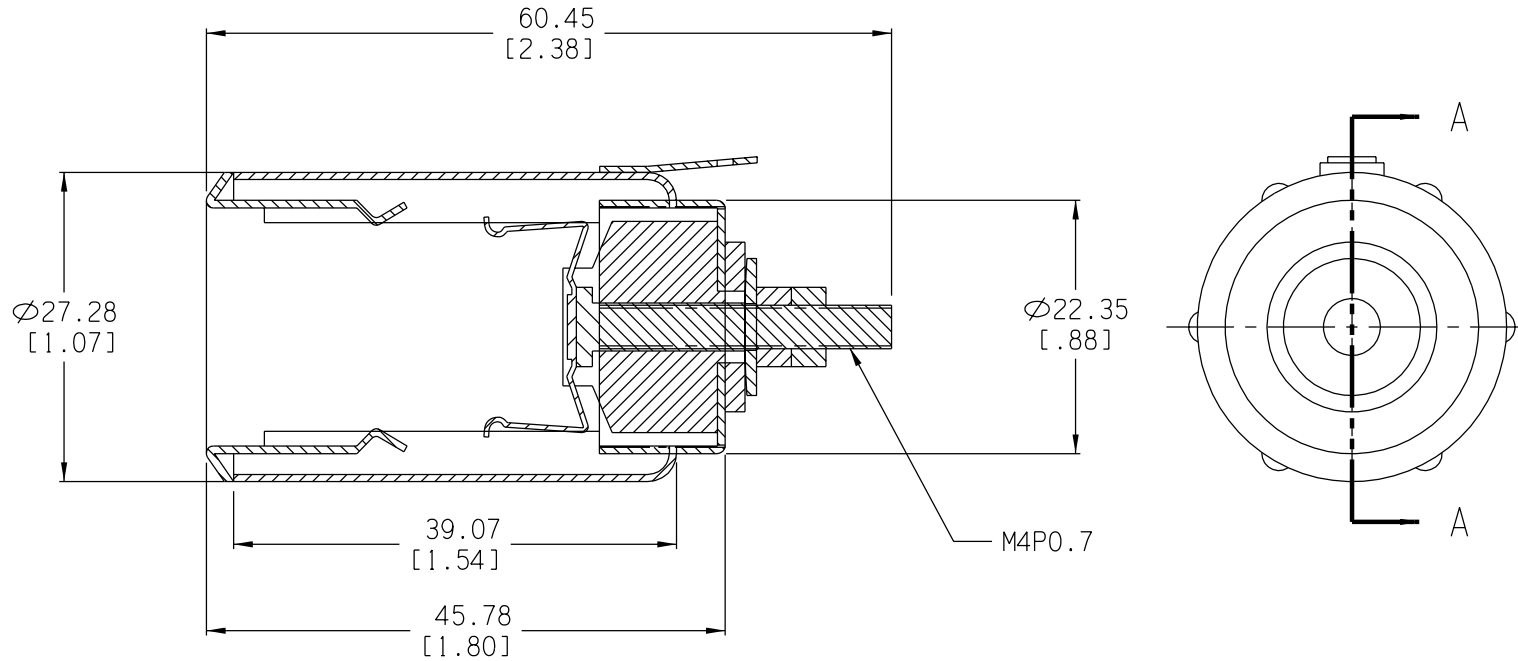



Date	SYM	REVISION RECORD	AUTH	DR.	CK.
02/15/03	A	Added panel cut-out information	T.B.	B.S.	
04/03/04	B	Added Electrical Rating	T.B.	B.S.	



PANEL CUT-OUT



ELECTRICAL RATING: 12V, 10 AMP

Tolerance (Inches)	 Memory Protection Devices, Inc. 200 Broad Hollow Road, Farmingdale, New York 11735	Scale	Drawn By B.S.
Decimal $\pm .5$ (.020)		Approved By T.B.	
Fractional $\pm .8$ (.030)	Title CIGARETTE SOCKET, METAL BAKELITE INSULATOR, SCREW-LOCK TYPE		
Angular $\pm 3^\circ$	Date 04/03/04	Drawing Number ZA2060	